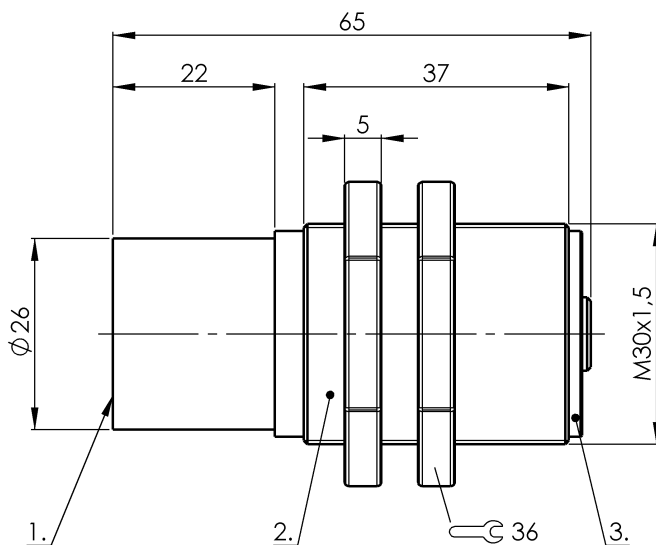


SK-HT250-20-M30-NB-VA/PTFE CS00A2



1) Sensing surface 2) Housing 3) Cover



Electrical connection

Connection	Special connector-Special connector
Polarity reversal protected	not relevant
Short-circuit protection	not relevant

Electrical data

Hysteresis H max. (% of Sr)	15.0 %
Repeat accuracy max. (% of Sr)	2.0 %
Utilization category	DC -13

Environmental conditions

Ambient temperature	-180...250 °C
Ambient temperature max.	250 °C
Ambient temperature min.	-180 °C
Protection type IEC 60529	IP66 IP54 at connector output

General data

Approval/Conformity	CE
Basic standard	IEC 60947-5-2
Scope of delivery	Nut (2x)
Sensitivity	adjustable on base unit

Material

Cover material	Stainless steel (1.4301) Brass
Housing material	Stainless steel (1.4301)
Material cover	1.4301Brass, Chrome-plated
Material sensing surface	PTFE

Mechanical data

Dimension	undefined
Installation	non-flush
Size	M30x1.5
Tightening torque	90 Nm

Range/Distance

Measuring range	1...20 mm
Range	1...20 mm
Rated operating distance Sn	20 mm

Remarks

Required accessories, sensor amplifier BAE SA-... and connection cable BCC Z003-020