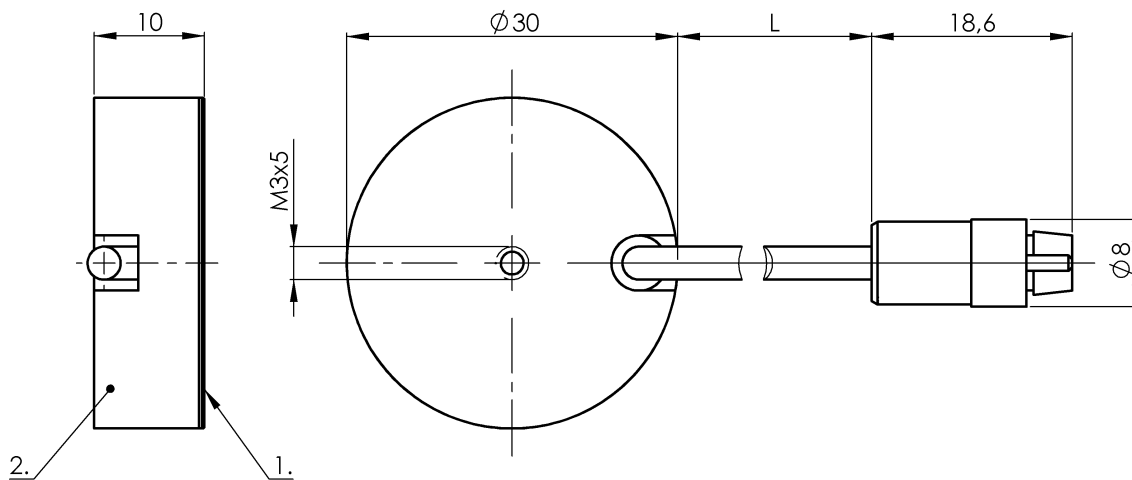


# SK-15-30/10-B-VA/PTFE

## CS001K



1) Sensing surface 2) Housing



IND. CONT. EQ.  
81U2  
for use in the secondary of  
a class 2 source of supply

### Electrical connection

|                             |                                     |
|-----------------------------|-------------------------------------|
| Cable length                | 2 m                                 |
| Connection                  | Special connector-Special connector |
| Connection type             | Connector with cable, 2.00 m, PUR   |
| Polarity reversal protected | not relevant                        |
| Short-circuit protection    | not relevant                        |

### Electrical data

|                                |           |
|--------------------------------|-----------|
| Hysteresis H max. (% of Sr)    | 15.0 %    |
| MTTF (40 °C)                   | 1813 a    |
| Operating voltage $U_b$        | 4...8 VDC |
| Rated insulation voltage $U_i$ | 75 V DC   |
| Repeat accuracy max. (% of Sr) | 2.0 %     |
| Switching frequency            | 100 Hz    |
| Utilization category           | DC -13    |

### Environmental conditions

|                           |             |
|---------------------------|-------------|
| Ambient temperature       | -30...80 °C |
| Ambient temperature max.  | 80 °C       |
| Ambient temperature min.  | -30 °C      |
| Protection type IEC 60529 | IP66        |

### Functional safety

|                     |     |
|---------------------|-----|
| Diagnostic coverage | 0 % |
| Functional safety   | no  |

### General data

|                     |                         |
|---------------------|-------------------------|
| Approval/Conformity | CE<br>cULus             |
| Basic standard      | IEC 60947-5-2           |
| Scope of delivery   | Nut (2x)                |
| Sensitivity         | adjustable on base unit |

### Material

|                          |                          |
|--------------------------|--------------------------|
| Cover material           | POM                      |
| Housing material         | Stainless steel (1.4301) |
| Material cover           | POM                      |
| Material jacket          | PUR                      |
| Material sensing surface | PTFE                     |

### Mechanical data

|                   |                    |
|-------------------|--------------------|
| Dimension         | Ø 30 x 10 mm       |
| Installation      | for flush mounting |
| Size              | D30.0              |
| Tightening torque | 6 Nm               |

### Output/Interface

|                  |                            |
|------------------|----------------------------|
| Interface        | Special interface          |
| Switching output | see signal amplifier (BAE) |

### Range/Distance

|                                |           |
|--------------------------------|-----------|
| Measuring range                | 1...15 mm |
| Range                          | 1...15 mm |
| Rated operating distance $S_n$ | 15 mm     |
| Ripple max. (% of $U_e$ )      | 10 %      |