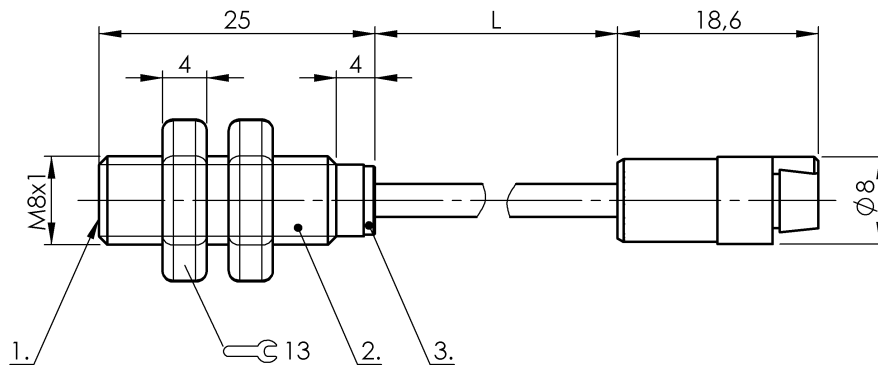


# SK-1.5-M8-B-VA/PTFE

CS0014



1) Sensing surface 2) Housing 3) Cover



IND. CONT. EQ.  
81U2  
for use in the secondary of  
a class 2 source of supply

## Electrical connection

Cable length	2 m
Connection	Special connector-Special connector
Connection type	Connector with cable, 2.00 m, PUR
Polarity reversal protected	not relevant
Short-circuit protection	not relevant

## Electrical data

Hysteresis H max. (% of Sr)	10.0 %
MTTF (40 °C)	1813 a
Operating voltage $U_b$	4...8 VDC
Rated insulation voltage $U_i$	75 V DC
Repeat accuracy max. (% of Sr)	2.0 %
Switching frequency	100 Hz
Utilization category	DC -13

## Environmental conditions

Ambient temperature	-30...80 °C
Ambient temperature max.	80 °C
Ambient temperature min.	-30 °C
Protection type IEC 60529	IP67

## Functional safety

Diagnostic coverage	0 %
Functional safety	no

## General data

Approval/Conformity	CE cULus
Basic standard	IEC 60947-5-2
Scope of delivery	Nut (2x)
Sensitivity	adjustable on base unit

## Material

Cover material	POM
Housing material	Stainless steel (1.4301)
Material cover	POM
Material jacket	PUR
Material sensing surface	PTFE

## Mechanical data

Dimension	undefined
Installation	for flush mounting
Size	M8x1
Tightening torque	6 Nm

## Output/Interface

Interface	Special interface
Switching output	see signal amplifier (BAE)

## Range/Distance

Measuring range	0.1...1.5 mm
Range	0.1...1.5 mm
Rated operating distance $S_n$	1.5 mm
Ripple max. (% of $U_e$ )	10 %