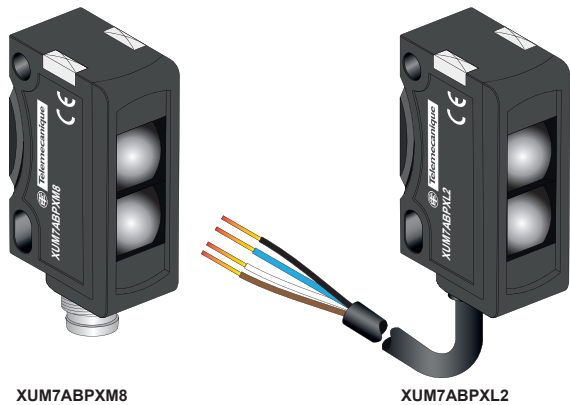


XUM7ABPXL2 / XUM7ABPXM8 (34 x 12 x 20)

Photo-electric sensors - Miniature design

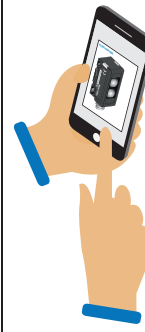
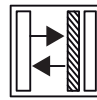


XUM7ABPXM8

XUM7ABPXL2

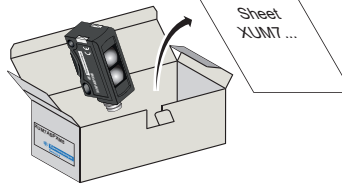


Fixed Background suppression (BGS)



Scan the code to access this Instruction Sheet in different languages and all the product information or you can visit our website at: www.tesensors.com

Package Content (Example)



We welcome your comments about this document. You can reach us through the customer support page on your local website.

DANGER

HAZARD OF ELECTRIC SHOCK, EXPLOSION OR ARC FLASH

- Disconnect all power before servicing equipment.
- Do not connect this device to AC power.
- The power voltage must not exceed the rated range.

Failure to follow these instructions will result in death or serious injury.

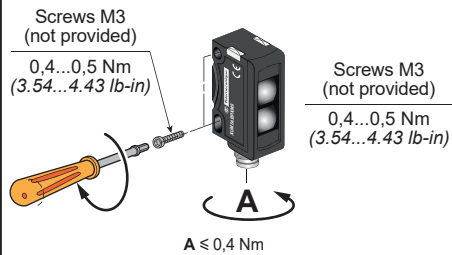
WARNING

IMPROPER SETUP OR INSTALLATION

- This equipment must only be installed and serviced by qualified personnel.
- Read, understand, and follow the compliance below, before installing the XU Photo-electric sensor.
- Do not tamper with or make alterations on the unit.
- Comply with the wiring and mounting instructions.
- Check the connections and fastening during maintenance operations.
- The proper functioning of the XU Photo-electric sensor and its operating line must be checked regularly and according to the application (for example number of operations, level of environmental pollution, etc.).

Failure to follow these instructions can result in death, serious injury, or equipment damage.

Mounting and tightening torques



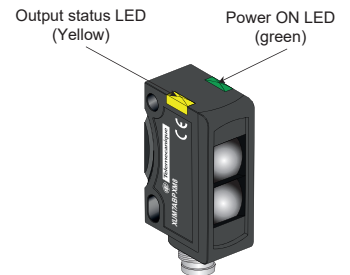
CAUTION

DEGREE OF PROTECTION DETERIORATION

Do not apply excessive torque on the sensor during the installation process.

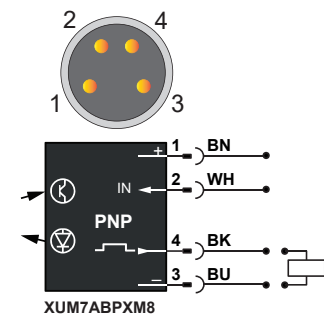
Failure to follow these instructions can result in injury or equipment damage.

LEDs and settings

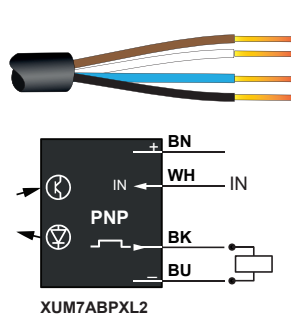


Wiring diagrams

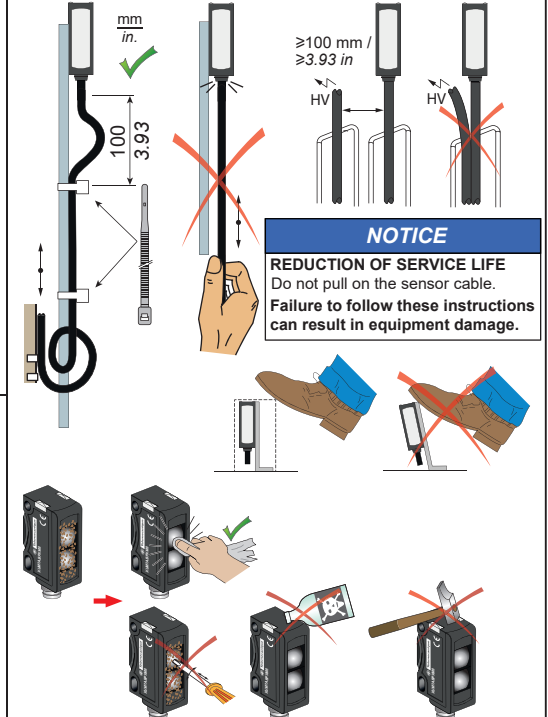
M8 Connector - 4 pins



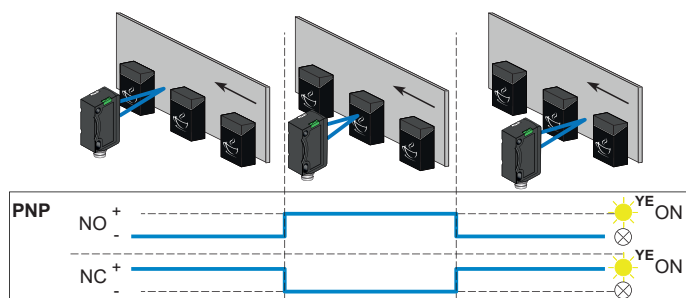
2 m Cable - 4 wires



Mounting, wiring and maintenance precautions



Switching mode for object



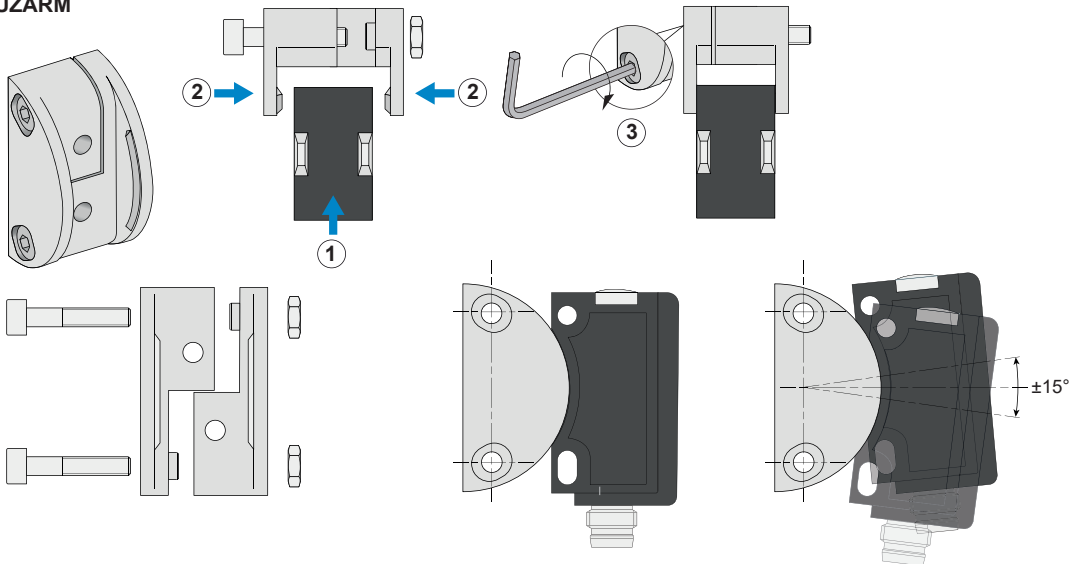
Electrical equipment should be installed, operated and maintained only by qualified personnel. Neither TMSS France nor any of its subsidiaries or other affiliated companies shall be responsible or liable for any consequences arising out of the use of this material. Telemecanique™ Sensors is a trademark of Schneider Electric Industries SAS used under license by TMSS France. Any other brands or trademarks referred to in this document are property of TMSS France or, as the case may be, of its subsidiaries or other affiliated companies. All other brands are trademarks of their respective owners.

XUM7ABPXL2 / XUM7ABPXM8 (34 x 12 x 20)

Accessories

Dovetail clamp mounting for flexible adjustment (to order separately)

XUZARM



Pre-wired connectors (examples)

PVC cable for general use
PUR cable for severe industrial environments

Jumper
M8 - 4 pins plug
M8 - 4 pins socket



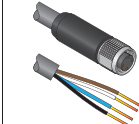
XZCPB1141L2 2m PUR
XZCPB1141L5 5m PUR

Jumper
M12 - 4 pins plug
M8 - 4 pins socket



XZCR2711037T1 1m PUR
XZCR2711037T2 2m PUR

M8 - 4 pins socket
4 wires

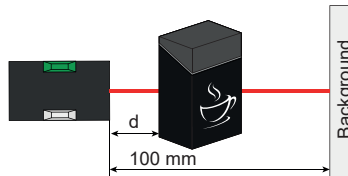
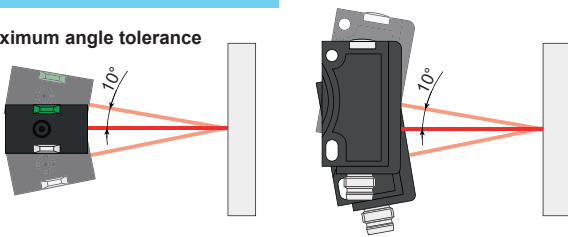


XZCR2705037R1 1m PUR
XZCR2705037R2 2m PUR

For other cables (angled or length) visit our website: Tesensors.com

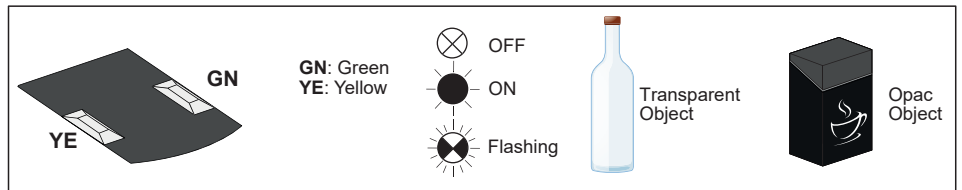
Sensors position adjustment

Maximum angle tolerance

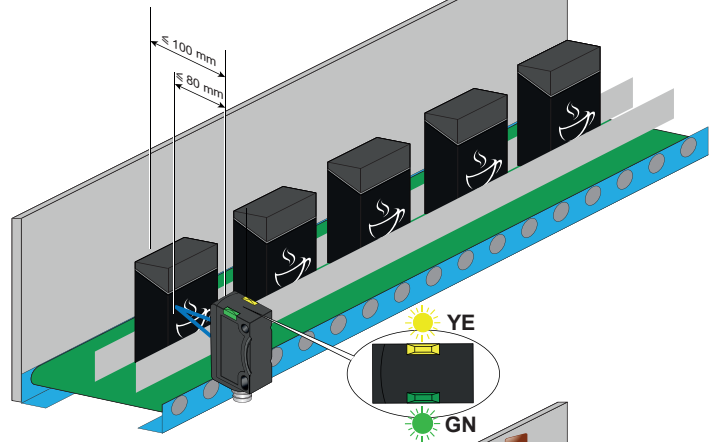
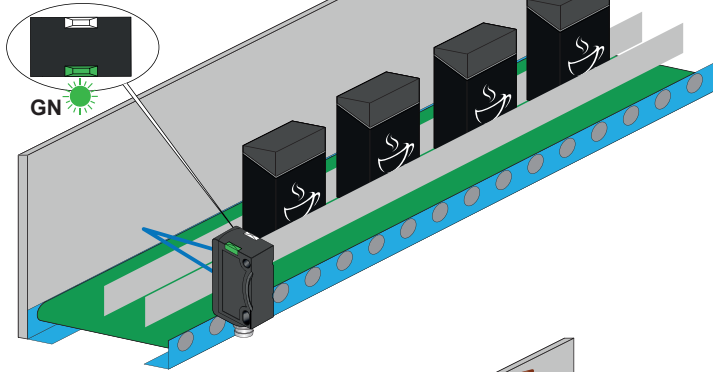


Reference material	Detection range «d»
White (90 %)	0...80 mm / 0...3.15 in.
Grey (18 %)	0...80 mm / 0...3.15 in.
Black (6 %)	1...80 mm / 0.04...3.15 in.

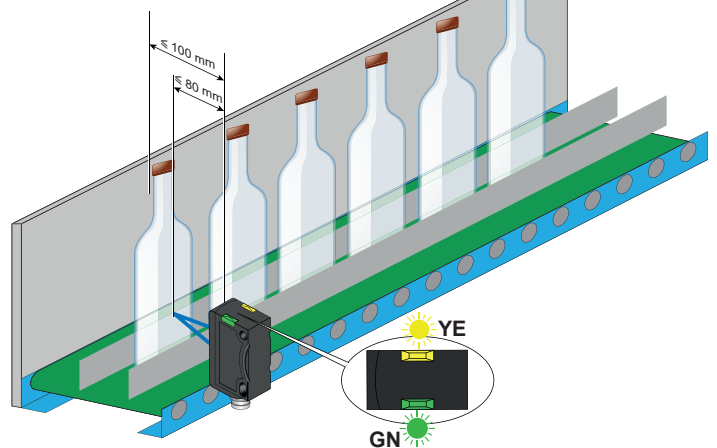
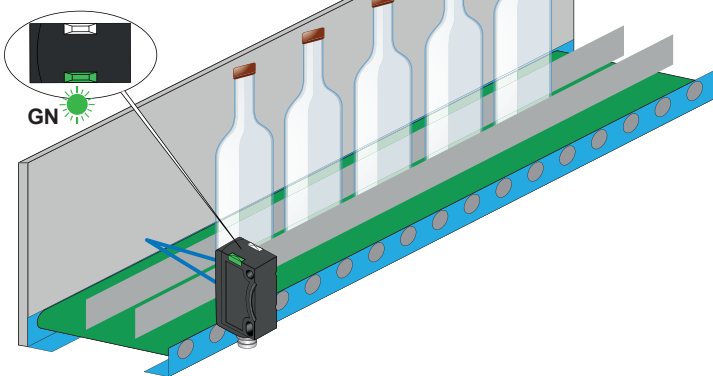
Detection



1- For object detection (even dark)



2- For transparent detection



Characteristics

Certification	CE - UKCA - cULus - Ecolab
Sensing distance	0...80 mm / 0...3.15 in. (Reference material: white, 90 % reflectivity)
Setting	Fixed focus without Teach-in
Detection light beam	LED, blue, 450 nm - Risk group 2 according to EN62471
Hysteresis	~ 1% (Based on scanning distance)
Switching output Q	PNP (NO or NC)
Control input IN (switching function Q):	+ = NC - = NO Open = NO
Current consumption	≤ 30 mA
Switching capacity	≤ 100 mA
Switching frequency	≤ 1000 Hz
First-up delay	< 300ms
Response time	500 μs
Recovery time	< 300ms
Ambient Temperature	Operating : - 20...+60 °C (-4...+140 °F) - UL : - 20...+50 °C (-4...+122 °F) Storage : - 20...+80 °C (-4...+176 °F)
Power Voltage	Rated operational voltage: 12...24 Vdc Operating range: 10...30 Vdc (including ripple p-p 10% maximum)
Product protection	Power supply : Reverse polarity protection Output: Short circuit protection
Protection against electric shocks	<input type="checkbox"/> Protection class II
Degree of protection	IP67 conforming to IEC 60529 , IP69K conforming to DIN 40050-9
Vibration resistance	Conforming to EN 60947-5-2
Shock resistance	Conforming to EN 60947-5-2
Material	Housing: ABS, Front and Lens: PMMA



Risk group 2

CAUTION

EYE INJURY DUE TO HAZARDOUS OPTICAL RADIATION

- Do not stare at the beam.
 - Avoid any eye contact with the beam.
- Failure to follow these instructions can result in injury or equipment damage.

