

DATA SHEET



INCLINED LIQUID COLUMN MANOMETERS



TX series

Pressure / Depression

The TX range of inclined liquid column manometers, developed and manufactured by Sauer mann, measure slight variations in pressure, depression or differential pressure. They are particularly recommended for measuring overpressures and depressions in clean rooms, operating blocks, laboratories, aseptic rooms, laminar flows...



Scale with centered zero



Possibility for measuring positive and negative pressures



High measurement sensitivity



Very low pressure ranges



Zero adjusting by moving the slide strip



Integrated spirit level for adjusting horizontality

Measuring range

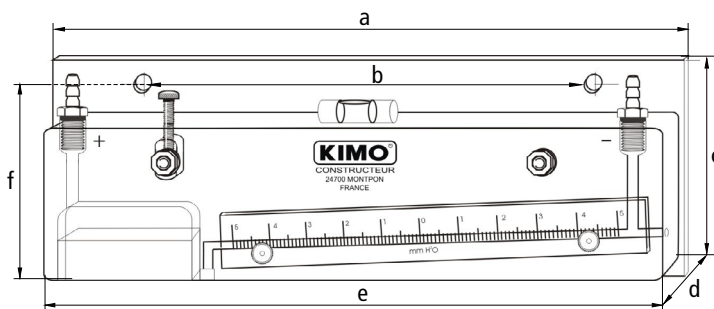
Reference	Measuring range		Sensitivity scale For 1 mm H ₂ O or 10 Pa	Resolution
	mm H ₂ O	Pascal		
TX 25	2.5 - 0 - 2.5	25 - 0 - 25	20 mm	0.1 mm H ₂ O or 1 Pa
TX 50	5 - 0 - 5	50 - 0 - 50	15 mm	0.1 mm H ₂ O or 1 Pa
TX 75	7.5 - 0 - 7.5	75 - 0 - 75	10 mm	0.1 mm H ₂ O or 1 Pa

Supplied with a white PVC support, 2 screws and 2 rawlplugs, two 487 connectors and a bottle of AWS 10 liquid.

General features

Recommended range of use	From +5 to +30 °C
Possible range of use	From -30 to +60 °C
Maximum static pressure	6 bars
Manometer body	Transparent 15 mm thick Altuglas
Liquid column	Entirely bored in the solid block, Ø 4 mm
Graduated slide strip	Transparent Altuglas. Cross-section 20 x 2 mm
Zero adjustment	By moving the graduated slide strip, travel 20 mm. Fixed via milled, nickel-plated brass screw
Positioning	Horizontal positioning via integrated spirit level and milled, nickel-plated brass adjusting screw, vertical travel 12 mm
Manometric liquid	AWS 10 red oil, density 0.87 at 15 °C
Reservoir capacity	20 ml
Connection	Ø 5 x 8 mm semi-rigid crystal tube, on Ø 6.2 mm ribbed, nickel-plated brass connectors, 1/8 gas thread
Wall-mounted	With or without white PVC support

Dimensions



Reference	TX 25	TX 50	TX 75
a	184 mm	234 mm	234 mm
b	116 mm	166 mm	166 mm
c	80 mm	80 mm	80 mm
d	30 mm	30 mm	30 mm
e	180 mm	230 mm	230 mm
f	71 mm	71 mm	71 mm
Weight	340 g	430 g	430 g

Mounting

1. Mount the manometer on a wall or a vertical partition wall with two maximum Ø 5 x 25 mm screws.
2. Set horizontality using the integrated level and the milled adjusting screw.
3. Unscrew the connector on the reservoir and slowly pour the manometric liquid to zero point on the graduation.
4. Remount the connector without overtightening.
5. Connect the manometer with the Ø 5 x 8 mm crystal tube to the pressure or depression source to be checked.

Note:

For a pressure measurement: connect the crystal tube to the **right-hand connector (+)**

For a depression measurement: connect the crystal tube to the **left-hand connector (-)**

For a differential pressure: connect the highest pressure to the **right-hand connector (+)** and the lowest pressure to the **left hand connector (-)**

Maintenance: TX manometers require no special maintenance other than simply changing the reading liquid once a year.