

DATA SHEET



INCLINED LIQUID COLUMN MANOMETERS



CP series

Pressure / Depression

The CP 25 inclined liquid column manometer, developed and manufactured by Sauermann measures slight variations in pressure, depression or differential pressure of air or gas. It is specially designed for checking clogging of filters in painting booths.



Graduation scale via coloured zones for fast and easy reading



Safety reservoir enabling momentaneous overshooting of the scale

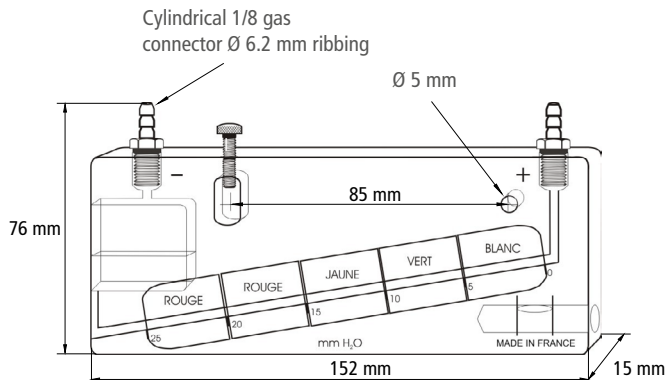


Supplied with a white PVC support, two 487 connectors and a bottle of AWS 10 liquid

Measuring range

Measuring range	Sensitivity scale for 1 mm H ₂ O
0 - 25 mm H ₂ O	5 mm

Dimensions



General features

Recommended range of use	From +5 to +30 °C
Possible range of use	From -30 to +60 °C
Maximum static pressure	6 bars
Manometer body	Transparent 15 mm thick Altuglas
Liquid column	Entirely bored in the solid block, Ø 4 mm
Graduation	Directly silk-screened onto the rear face with different colour zones: From 0 to 5 mm H ₂ O: white From 5 to 10 mm H ₂ O: green From 10 to 15 mm H ₂ O: yellow From 15 to 25 mm H ₂ O: red (variations possible on request)
Positioning	Horizontal positioning via integrated spirit level and milled, nickel-plated brass adjusting screw, vertical travel 12 mm
Manometric liquid	AWS 10 red oil, density 0.87 at 15 °C
Reservoir capacity	20 ml
Connection	Ø 5 x 8 mm semi-rigid crystal tube, on Ø 6.2 mm ribbed, nickel-plated brass connectors, 1/8 gas thread
Wall-mounted	With or without white PVC support

Mounting

1. **Mount** on a wall or a vertical partition wall with two maximum Ø 5 x 25 mm screws (supplied).
2. **Set horizontality** using the integrated level and the milled adjusting screw.
3. **Unscrew the connector** on the reservoir and **slowly pour the manometric liquid** to zero point on the graduation.
4. **Remount the connector** without overtightening.
5. **Connect the manometer** with the Ø 5 x 8 mm crystal tube to the pressure or depression source to be checked.

Note:

For a **pressure** measurement: connect the crystal tube to the **right-hand connector (+)**

For a **depression** measurement: connect the crystal tube to the **left-hand connector (-)**

For a **differential pressure**: connect the highest pressure to the **right-hand connector (+)** and the lowest pressure to the **left hand connector (-)**

Maintenance: the CP 25 manometer requires no special maintenance other than simply changing the reading liquid once a year.