
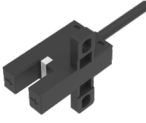
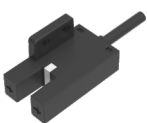

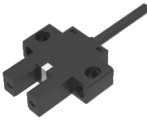
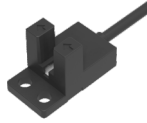
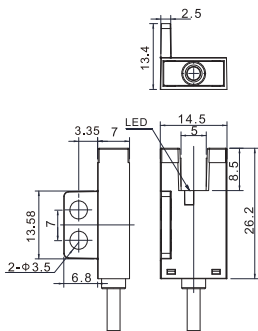


Appearance							
Shape	F Shape	T Shape	R Shape	L Shape	K Shape	Y Shape	
Sensing distance	5mm (Slot width)						
Standard sensing object	Opaque objects (Size: 1.2*1.8mm)						
Repeat accuracy	< 0.03mm						
Output type	NPN or PNP open-collector						
Switch type	Selectable L.on/D.on						
Indicator	Red LED						
Response frequency	3KHz						
Response time	≤0.3ms						
Light source	Infrared LED (940nm)						
Operating voltage	5~24V DC						
Voltage drop	< 1.5V (load current 100mA, 2m cable length)						
Current consumption	< 20mA						
Protective circuit	Surge protection, Reverse polarity protection						
Ambient temperature	Operation: -25°C~+55°C, Storage: -30°C~+80°C, no freezing						
Ambient humidity	Operation: 5%~85%, Storage: 5%~95%, no condensation						
Ambient brightness	Incandescent lamp ≤1000Lux						
Degree of protection	IP50						
Material	PC						
Connection method	2M 4core cable						
NPN	Light on when objects are detected	SF-302N-W	ST-303N-W (HOT)	SR-304N-W	SL-305N-W (HOT)	SK-306N-W	SY-307N-W (HOT)
	Light off when objects are detected	SF-302NA-W	ST-303NA-W (HOT)	SR-304NA-W	SL-305NA-W (HOT)	SK-306NA-W	SY-307NA-W (HOT)
PNP	Light on when objects are detected	SF-302P-W	ST-303P-W	SR-304P-W	SL-305P-W	SK-306P-W	SY-307P-W
	Light off when objects are detected	SF-302PA-W	ST-303PA-W	SR-304PA-W	SL-305PA-W	SK-306PA-W	SY-307PA-W

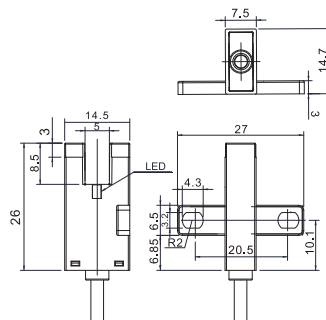
Dimensions

Unit: mm

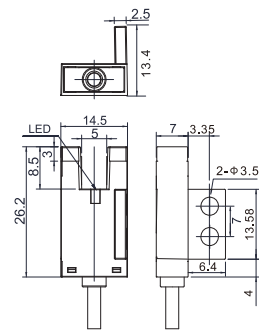
F Shape



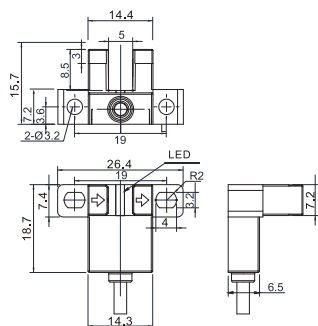
T Shape



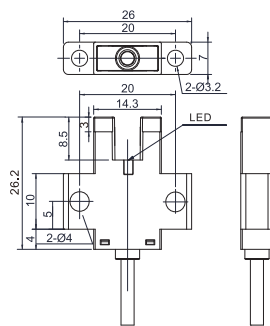
R Shape



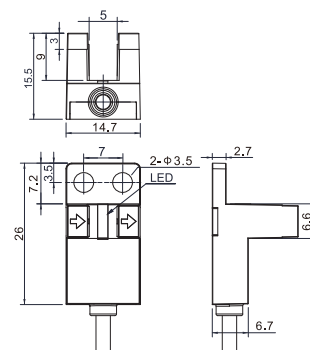
L Shape



K Shape



Y Shape



- Fiber Optic
- Slot Sensors
- Photoelectric
- Laser
- Proximity
- Displacement
- Magnetic
- Contact
- Area
- Ultrasonic
- Vision
- Vibration
- Temperature
- Annexes

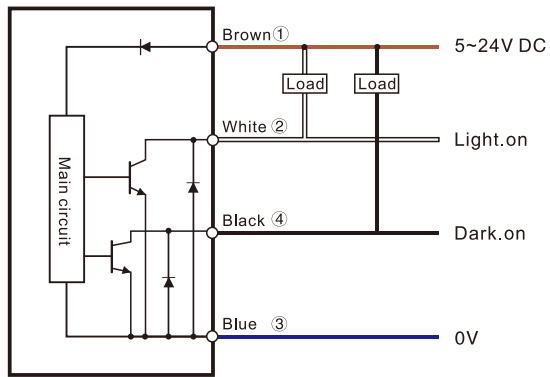
Guidance

- Slot type sensors
- Micro slot type
- Slot type
- Wide slot type
- Label detection

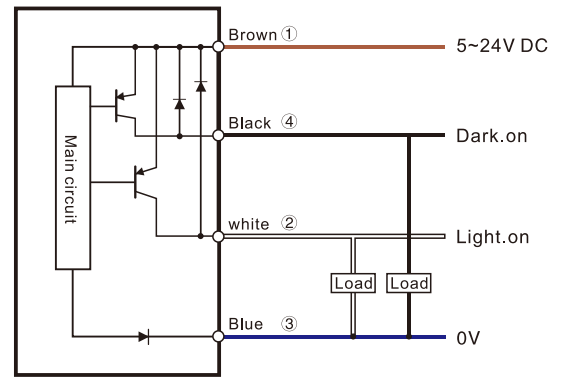
Slot Type

Circuit diagram

NPN



PNP



Fiber Optic

Slot Sensors

Photoelectric

Laser

Proximity

Displacement

Magnetic

Contact

Area

Ultrasonic

Vision

Vibration

Temperature

Annexes

Guidance

Slot type sensors

Mirco slot type

Slot type

Wide slot type

Label detection