

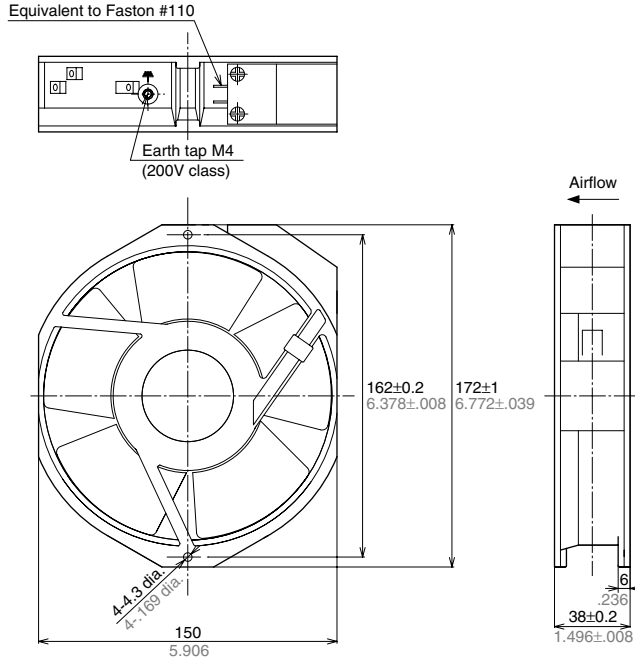
AC Fan Motor

150×172×38t (ASEN5)

NEW



DIMENSIONS (mm inch)



RoHS Directive compatibility information
<http://www.nais-e.com/>

RATING

2 terminals type, Standard speed

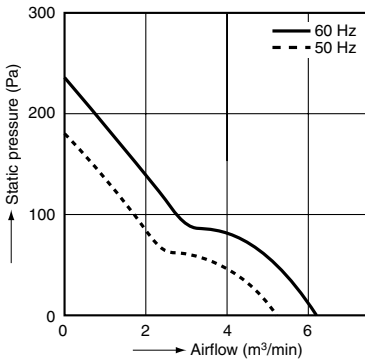
Part number	Rated voltage (V)	Frequency (Hz)	Input power, ±10% (W)	Rated current*1 (mA)	Locked current*3 (mA)	Rotation speed*2 (r/min)	Max. air flow*2 (m³/min)	Max. static pressure*2 (Pa)	Noise*3 (dB(A))	Operating voltage range (V) (%)	Weight (kg)
ASEN50751	100	50/60	37/33	470/440	750/700	2700/3200	5.0/6.0	157/215.8	52/56 (57/61)	±10	0.8
ASEN50752	115		35/32	380/360	550/530						
ASEN50754	200		34/33	230/210	340/320						
ASEN50756	230		35/35	190/180	280/310						

*1: Designates maximum values, *2: Designates minimum values, *3: Designates average values

Notes: 1. Values above without designations are averages.

2. Noise level was measured at a distance of 1 m from side of fan. Values in brackets were measured at a distance of 1 m from front of fan.

DATA (Airflow - Static pressure Characteristic Curve)



MATERIALS USED

Frame: aluminum alloy die-casting
 Propeller: plastic
 Bearings: ball bearings
 Terminal: Equivalent to Faston #110

Label: 100 V class...black base
 200 V class...red base

SPECIFICATIONS

Ambient temperature	-10°C to +60°C +14°F to +140°F	
Ambient humidity	15 to 85%RH	
Storage temperature	-20°C to +70°C -4°F to +158°F	
Breakdown voltage	1,500 V AC for 1 min. (between charging section and frame)	
Insulation resistance	Min. 100MΩ(at 500 V DC megger)(between charging section and frame)	
Insulation class	UL:A class, CSA:B class	
Vibration resistance	Frequency	10 to 55Hz
	Double amplitude width	0.75mm
	Applied direction	X, Y and Z directions
	Applied time	10 min. in each direction
Protection	Thermally protected	
Mean life	MTTF: 50,000 hrs. (Time it takes until rotation frequency drops 30% of initial value when run continuously under 25°C 77°F and room humidity at the nominal voltage.)	