

CIM36x37-Screw 36 x 37 Screw no reset Part number 99776607



- 5 or 6 digits, height of digits 4 mm
- With or without manual reset
- White digits on a black background

Part numbers

| Type | Number of digits | Operating frequency (Hz) | Voltages |
|---------------------------------|------------------|--------------------------|----------|
| 99776607 36 x 37 Screw no reset | 6 | VDC | 24 VDC |

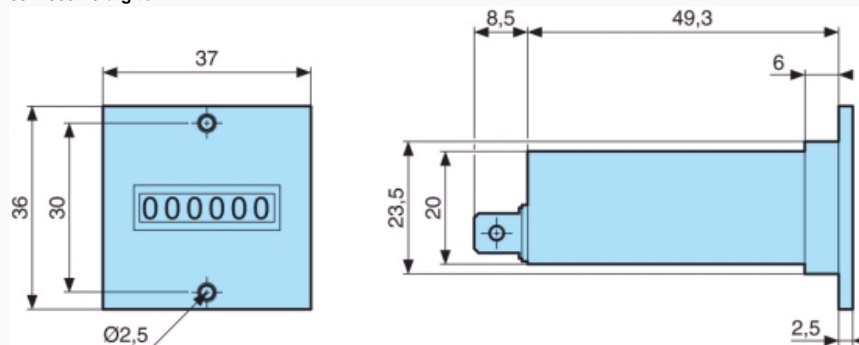
Specifications

General characteristics

| | |
|--|--|
| Counting capacity | 999,999 impulses without manual reset 99,999 impulses with manual reset |
| Height digits (mm) | 4 |
| Max. count rate | VAC→18 impulses/s VDC→25 impulses/s |
| Min. count rate | VAC→28 ms VDC→20 ms |
| Min pause time between 2 pulses | VAC→28 ms VDC→20 ms |
| Max. pulse length (count coil) | Unlimited |
| Voltage variation | + 10 % / -15 % Un |
| Consumption | 24 VAC / 115 VAC : 1,1 VA 230 VAC : 2,1 VA 110 VDC : 1 W 24 VDC : 0,8 W |
| Mechanical life count function (operations) | > 50 x 10 ⁶ |
| Test voltage according to standard IEC 255-5 | U < 60 V : 500 V U > 60 V : 2 000 V |
| Protection Housing | IP40 |
| Degree of terminal protection | IP00 |
| Environmental protection | Plated or stainless steel components |
| Maintenance | None |
| Operating position | Any |
| Temperature limits use (°C) | - 10 →+60 |
| Temperature limits stored (°C) | - 40 →+80 |
| Certifications | CE |
| Connection | 6.35 Faston connectors or screw terminals |
| Mounting | 2 x 2.5 Ø screws - F90° on front face |
| Weight (g) | 50 |

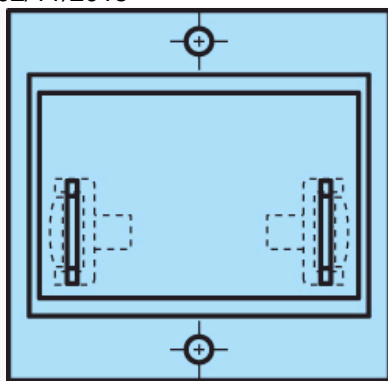
Dimensions (mm)

9977660 - 6 digits



Dimensions (mm)

9977660 - Rear faces

**Dimensions (mm)**

Panel cut-out

