

## Din Rail Mount 22.5 mm Phase Sequence & Phase Failure EWS2 Part number 84873034



- Space savings, accurate measurement and optimized functions all improve the efficiency of your electrical installation
- Control : You simply install your EWS2 phase control relay and without any adjustment you can monitor the loss or inversion of one of the phases
- Safety : The EWS2 range enables you to choose the level of safety for your installation by using versions with 1, 2 or 3 output changeovers
- Self-powered : Simple to install, EWS2 control relays use the controlled mains supply for their own power supply voltage

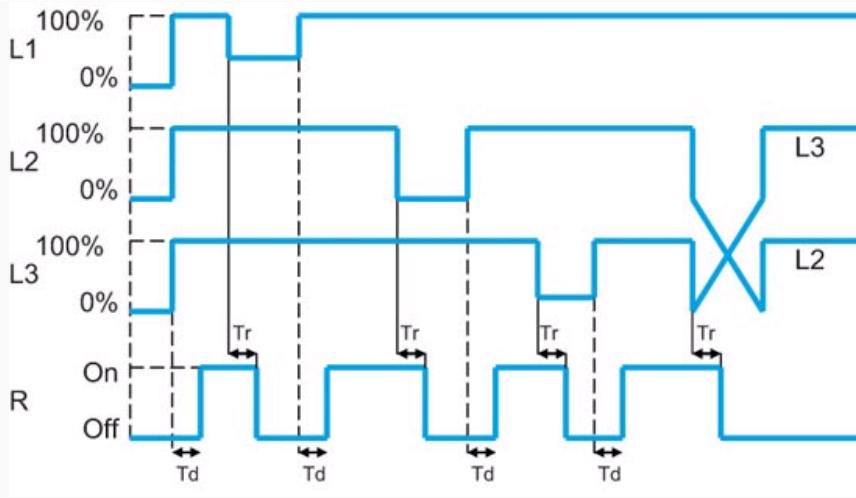
### Part numbers

Type	Output relay
84873034 EWS2	2 changeovers

### Specifications

Nominal supply voltage	3 x 230 → 3 x 415 V AC
Operating limits	3 x 200 → 3 x 460V AC
Frequency	50 / 60 Hz
Maximum consumption	28 VA
Output relay	2 changeovers
Type of contacts	No cadmium
Nominal rating	8 A
Maximum breaking voltage	250 V AC
Nominal breaking capacity	2 000 VA
Min. breaking current	10 mA / 5 VDC
Electrical life (number of operations)	10 <sup>5</sup> at 8A/250 V AC
Maximum rate (at full load)	360 operations / hour
Mechanical life (operations)	10 x 10 <sup>6</sup>
Pick-up delay T1	≤ 650 ms
Turn-off delay T2	< 300 ms
Connection capacity - without ferrule	1 x 0,5 → 4 mm <sup>2</sup> (AWG 20 → AWG 11) 2 x 0,5 → 2,5 mm <sup>2</sup> (AWG 20 → AWG 14)
Connection capacity - with ferrule	1 x 0,5 → 2,5 mm <sup>2</sup> (AWG 20 → AWG 14) 2 x 0,5 → 1,5 mm <sup>2</sup> (AWG 20 → AWG 16)
Max. tightening torque (IEC/EN 60947-1)	0,6 → 1 Nm / 5,3 → 8,8 lbf.in
Operating temperature range (°C)	-20 → +50
Storage temperature (°C)	-40 → +70
Housing material	Self-extinguishing
Protection (IEC/EN 60529) - Casing	IP40
Protection (IEC/EN 60529) - Term. block	IP20
Dielectric strength (IEC/EN 60255-5)	2,5 KV / 1 mn / 1 mA / 50 Hz
Insulation coordination (IEC/EN 60664-1)	Overvoltage category III, degree of pollution 3 : 4 KV / 3
Weight (g)	86

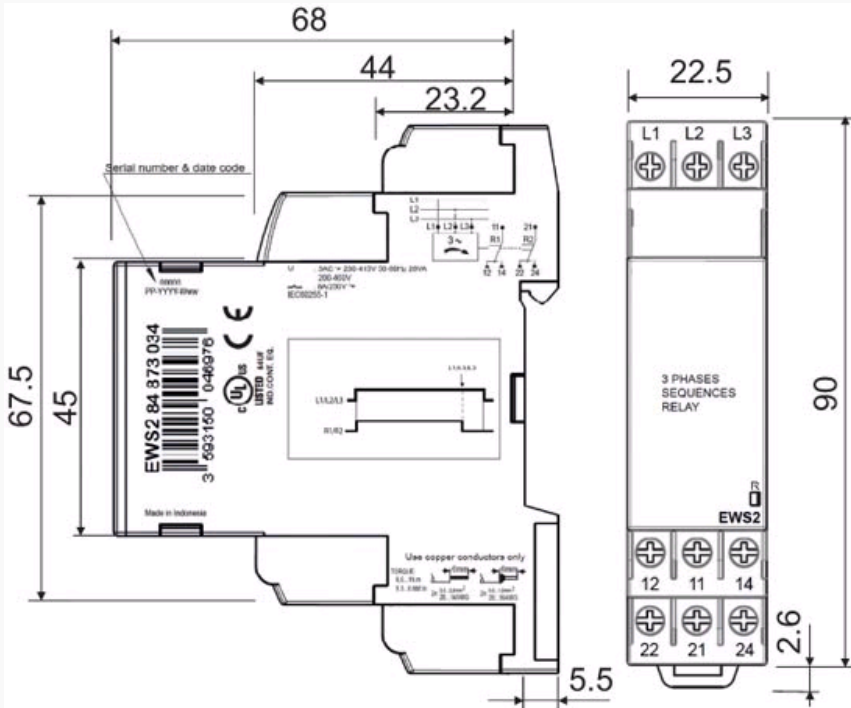
### Principles



$T_d$  : Power on delay  
 $T_r$  : Responsible time after a fault has occurred  
 R : Output relay

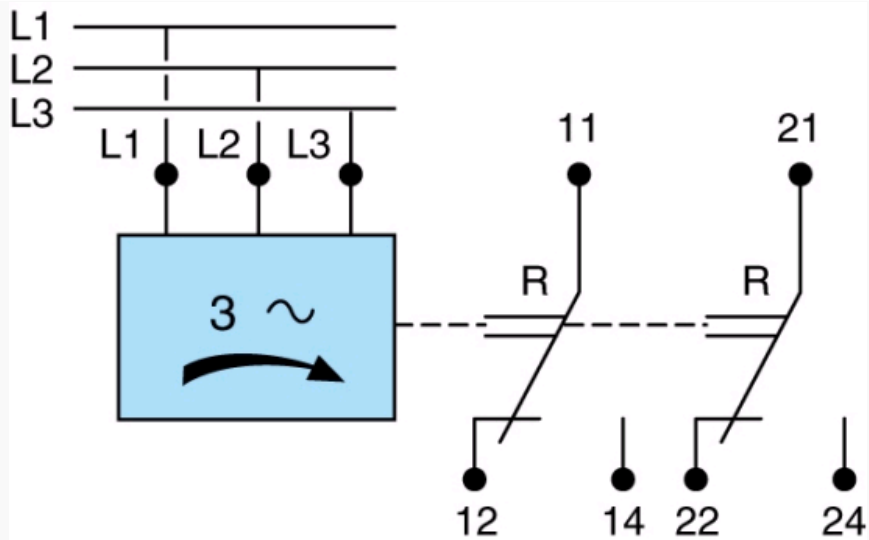
**Dimensions (mm)**

EWS / EWS2



**Connections**

EWS2



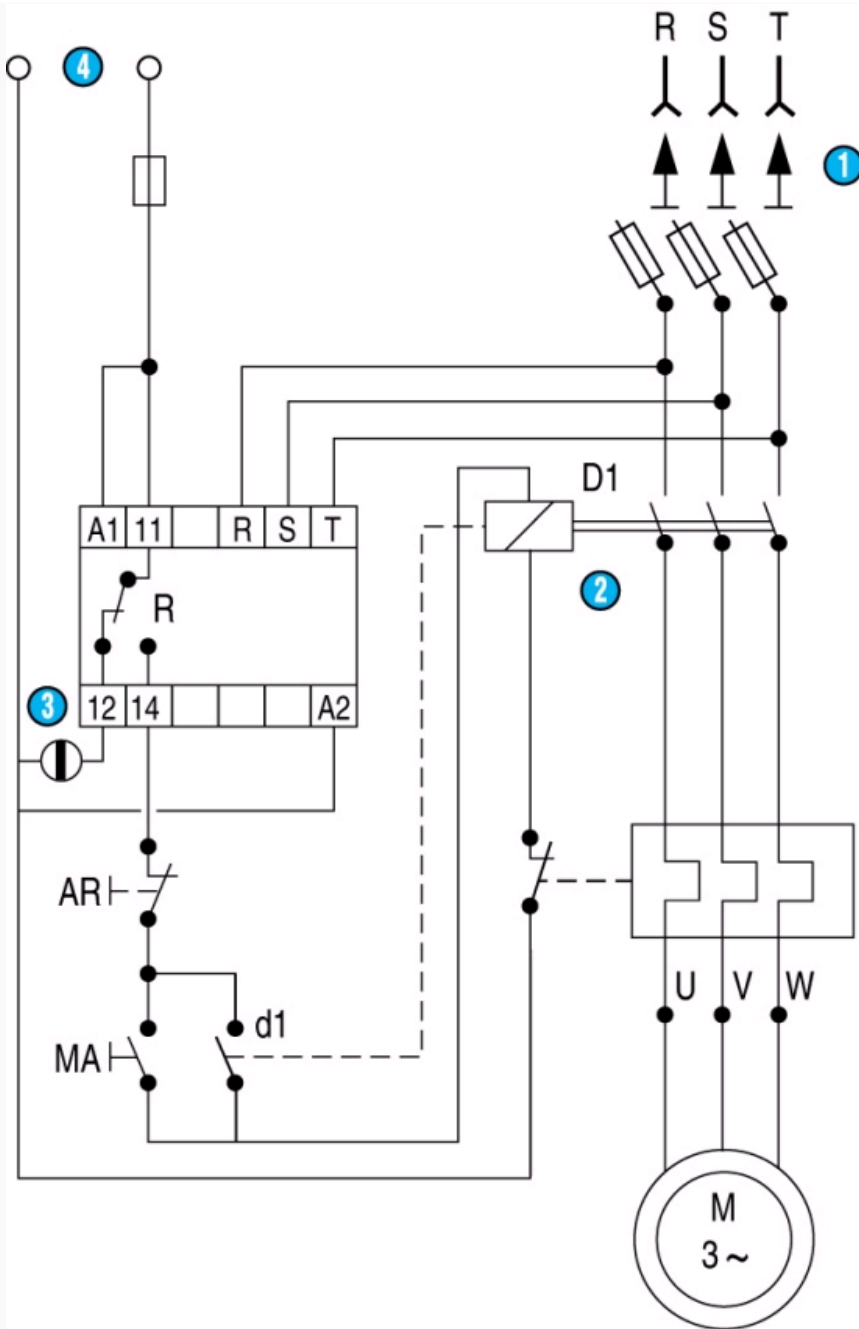
Connections

CA EWS2

CA EWS2

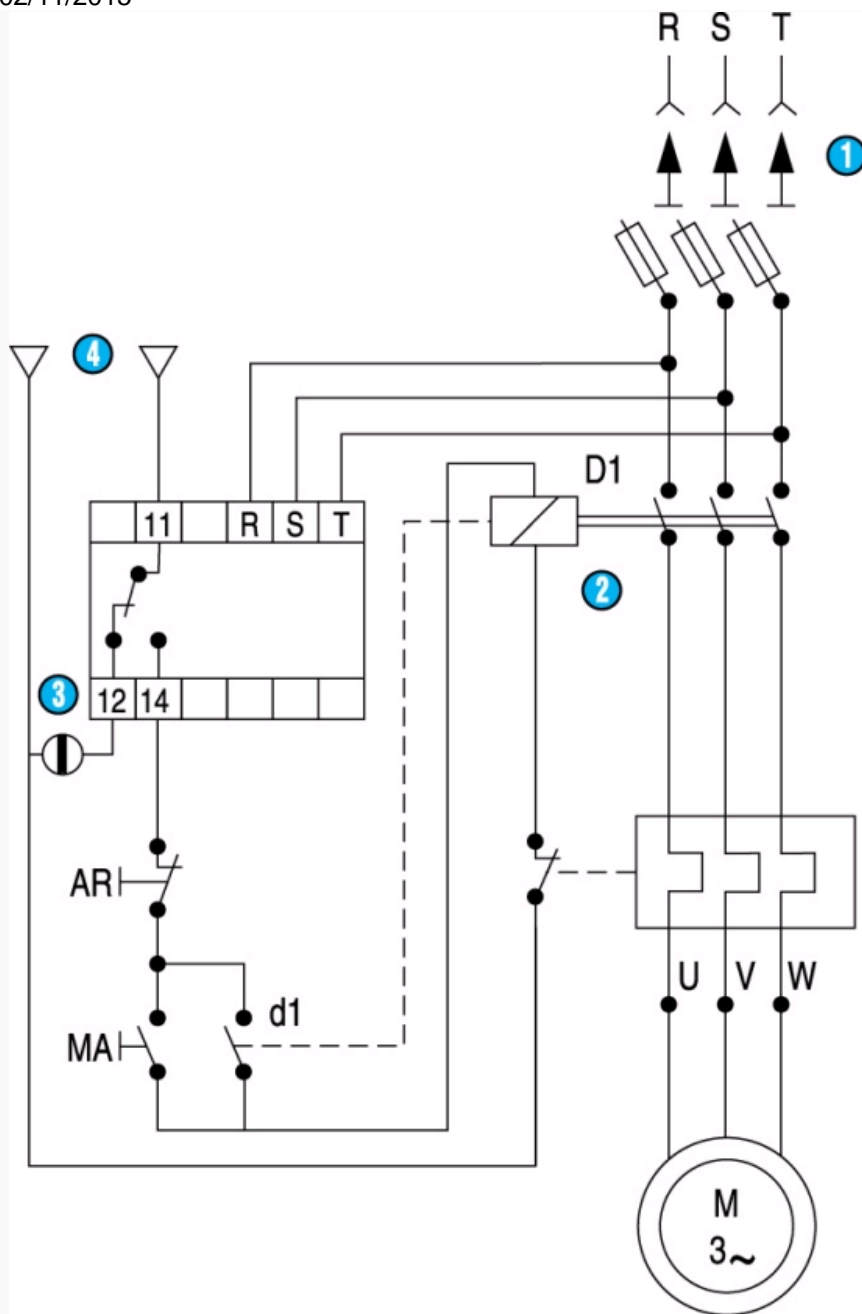
Connections

EWS2



N°	Legend
①	Isolating switch
②	Contactor
③	Alarm
④	Auxiliary power supply

**Connections**  
EWS2



N°	Legend
①	Isolating switch
②	Contacteur
③	Alarm
④	Auxiliary power supply for contactor coil and signalling