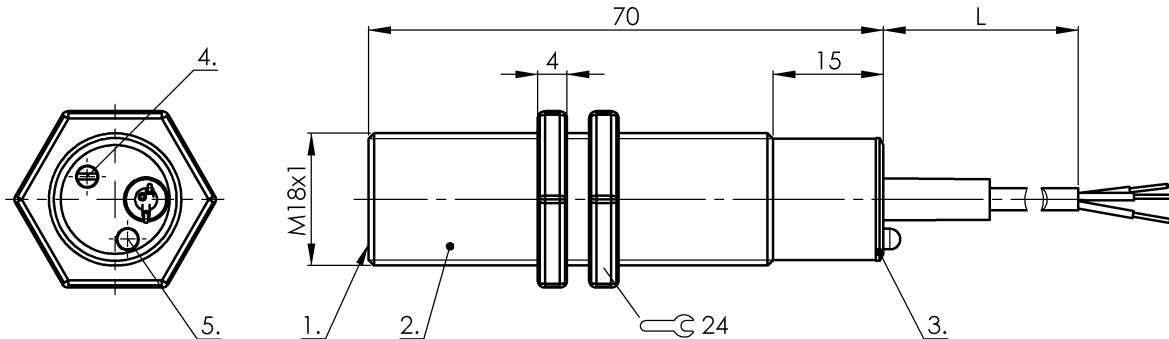


SK1-A-8-M18-4I20B-VA/PBT
CW0001



1) Sensing surface 2) Housing 3) Cover 4) Potentiometer 5) LED function indicator



Display/Operation

Power indicator	yes
-----------------	-----

Electrical connection

Cable length	2 m
Conductor cross-section	0.25 mm ²
Connection type	Cable, 2.00 m, PVC
Number of conductors	3
Polarity reversal protected	yes
Short-circuit protection	yes

Electrical data

MTTF (40 °C)	217 a
Operating voltage U _b	12...35 VDC
Protected against miswiring	yes
Rated insulation voltage U _i	75 V DC
Repeat accuracy max. (% of Sr)	0.63 %

Environmental conditions

Ambient temperature	10...55 °C
Protection type IEC 60529	IP67

Functional safety

Diagnostic coverage	0 %
Functional safety	no

General data

Approval/Conformity	cULus CE
Basic standard	IEC 60947-5-7

Material

Housing material	Stainless steel
Material jacket	PVC
Material sensing surface	PBT

Mechanical data

Dimension	undefined
Installation	for flush mounting
Size	M18x1

Output/Interface

Analog output	Analog, current, Current falling on approach
---------------	--

Range/Distance

Measuring range	0...8 mm
Range	0...8 mm
Temperature drift max. (% of Sr)	10 %

For further information on MTTF/B10d, please refer to the MTTF / B10d Certificate.

Specification of the MTTF value and the B10d value do not represent any binding quality and/or life expectancy guarantees.