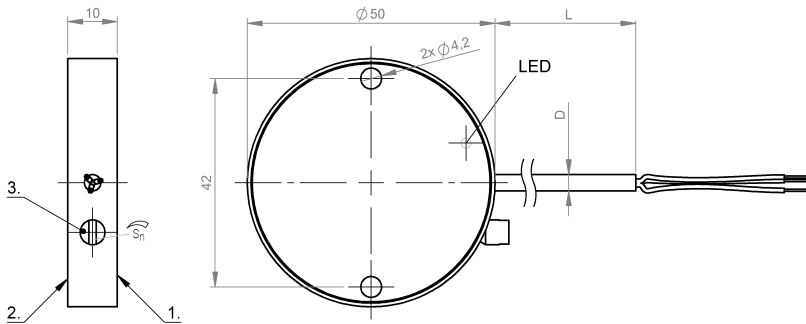
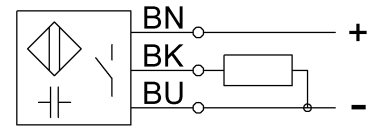


SK1-FSA-50/10-PBS-CPTFE CS0080



Wiring Diagram



1) Sensing surface 2) Housing 3) Potentiometer 4) LED function indicator



IND. CONT. EQ.
81U2
for use in the secondary of
a class 2 source of supply

Electrical connection

Cable length	2 m
Conductor cross-section	0.20 mm ²
Connection type	Cable, 2.00 m, PTFE
Number of conductors	3
Polarity reversal protected	yes
Short-circuit protection	yes

Electrical data

Operating voltage U_b	10...35 VDC
Protected against miswiring	yes
Rated insulation voltage U_i	75 V DC
Rated operating current I_e DC	100 mA
Switching frequency	2 Hz
Utilization category	DC-13
Voltage drop static max.	1.8 V

Environmental conditions

Ambient temperature	-10...60 °C
Protection type IEC 60529	IP67

General data

Approval/Conformity	CE cULus
Basic standard	IEC 60947-5-2
Sensitivity	media-dependent, adjustable
Series	Level sensor

Material

Cover material	PTFE
Housing material	PTFE
Material cover	PTFE
Material jacket	PTFE
Material sensing surface	PTFE

Mechanical data

Dimension	Ø 50 x 10 mm
Installation	for flush mounting
Size	D50.0

Output/Interface

Switching output	PNP Normally open (NO)
------------------	------------------------

Range/Distance

Ripple max. (% of U_e)	10 %
---------------------------	------

Remarks

Note for using in standard applications with aqueous media: The Smart Level sensors are factory adjusted for standard applications. With this setting the Smart Level sensors can be used without further adjustment for detecting aqueous media through glass or plastic walls. The factory setting can automatically mask glass or plastic walls (approx. 0.5 mm to 6 mm) and compensate for foam, moisture and dirt buildup inside and outside the container. Special applications: The Smart Level sensors can also be used with aqueous media in previously unsolvable and critical applications such as through glass or plastic walls thicker than 6 mm. Here the user can change the factory setting.