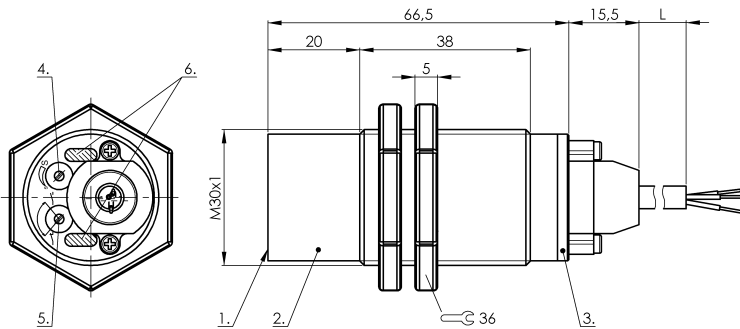


SK1-30-M30-PNBX-PBT CS007C



Wiring Diagram



1) Sensing surface 2) Housing 3) Cover 4) Potentiometer 5) NO or NC selectable 6) LED function indicator



IND. CONT. EQ.
81U2
for use in the secondary of
a class 2 source of supply

Display/Operation

Function indicator	yes
Power indicator	yes

Functional safety

Diagnostic coverage	0 %
Functional safety	no

Electrical connection

Cable length	2 m
Conductor cross-section	0.34 mm ²
Connection type	Cable, 2.00 m, PUR
Number of conductors	3
Polarity reversal protected	yes
Short-circuit protection	yes

General data

Approval/Conformity	CE cULus
Basic standard	IEC 60947-5-2
Scope of delivery	Nut (2x)

Electrical data

Hysteresis H max. (% of Sr)	15.0 %
MTTF (40 °C)	455 a
Operating voltage U _b	10...35 VDC
Protected against miswiring	yes
Rated insulation voltage U _i	75 V DC
Rated operating current I _e DC	300 mA
Repeat accuracy max. (% of Sr)	5.0 %
Switching frequency	100 Hz
Utilization category	DC -13
Voltage drop static max.	1.8 V

Material

Cover material	PBT PE
Housing material	PBT
Material cover	PBTPE
Material jacket	PUR
Material sensing surface	PBT

Mechanical data

Dimension	undefined
Installation	non-flush
Size	M30x1.5
Tightening torque	4 Nm

Environmental conditions

Ambient temperature	-30...70 °C
Protection type IEC 60529	IP66 IP64 at cable exit

Output/Interface

Switching output	PNP Normally open/Normally closed (NO/NC)
------------------	---