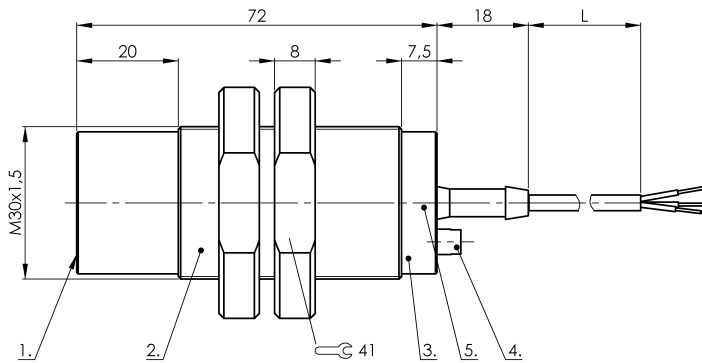
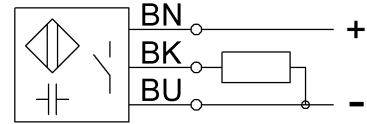


SK1-30-M30-PNBS-CPTFE CS0077



Wiring Diagram



1) Sensing surface 2) Housing 3) Cover 4) Potentiometer 5) LED function indicator



Electrical connection

Cable length	2 m
Conductor cross-section	0.20 mm ²
Connection type	Cable, 2.00 m, PTFE
Number of conductors	3
Polarity reversal protected	yes
Short-circuit protection	yes

Electrical data

Hysteresis H max. (% of Sr)	10.0 %
MTTF (40 °C)	262 a
Operating voltage U _b	10...35 VDC
Protected against miswiring	yes
Rated insulation voltage U _i	75 V DC
Rated operating current I _e DC	300 mA
Repeat accuracy max. (% of Sr)	2.0 %
Switching frequency	100 Hz
Utilization category	DC -13
Voltage drop static max.	1.5 V

Environmental conditions

Ambient temperature	-30...70 °C
Protection type IEC 60529	IP67

Functional safety

Diagnostic coverage	0 %
Functional safety	no

General data

Approval/Conformity	CE cULus
Basic standard	IEC 60947-5-2
Scope of delivery	Nut (2x)
Sensitivity	Switching distance adjustable

Material

Cover material	PTFE
Housing material	PTFE
Material cover	PTFE
Material jacket	PTFE
Material sensing surface	PTFE

Mechanical data

Dimension	undefined
Installation	non-flush
Size	M30x1.5
Tightening torque	2 Nm

Output/Interface

Switching output	PNP Normally open (NO)
------------------	------------------------

Range/Distance

Measuring range	2...30 mm
Range	2...30 mm
Rated operating distance S _n	30 mm
Ripple max. (% of U _e)	10 %
Temperature drift max. (% of Sr)	15 %