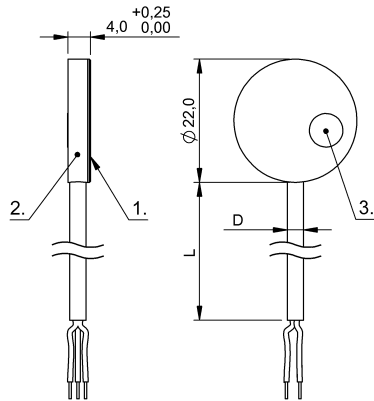
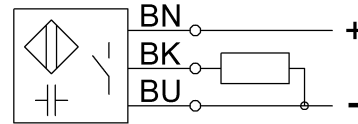


SK1-6F-22/4-PBS-VA/PTFE CS003H



Wiring Diagram



1) Sensing surface 2) Housing 3) Potentiometer sealed



Electrical connection

Cable length	2 m
Conductor cross-section	0.14 mm ²
Connection type	Cable, 2.00 m, PUR
Number of conductors	3
Polarity reversal protected	yes
Short-circuit protection	yes

Electrical data

Hysteresis H max. (% of Sr)	15.0 %
Operating voltage Ub	12...30 VDC
Protected against miswiring	yes
Rated insulation voltage Ui	75 V DC
Rated operating current Ie DC	300 mA
Repeat accuracy max. (% of Sr)	2.0 %
Switching frequency	100 Hz
Utilization category	DC -13
Voltage drop static max.	1.2 V

Environmental conditions

Ambient temperature	-30...70 °C
Protection type IEC 60529	IP64

General data

Approval/Conformity	CE cULus
Basic standard	IEC 60947-5-2

Material

Housing material	Stainless steel (1.4301)
Material jacket	PUR
Material sensing surface	PTFE

Mechanical data

Dimension	Ø 22 x 4 mm
Installation	for flush mounting
Size	D22.0

Output/Interface

Switching output	PNP Normally open (NO)
------------------	------------------------

Range/Distance

Measuring range	5.4...6.6 mm
Range	5.4...6.6 mm
Rated operating distance Sn	6.6 mm
Ripple max. (% of Ue)	10 %
Temperature drift max. (% of Sr)	10 %