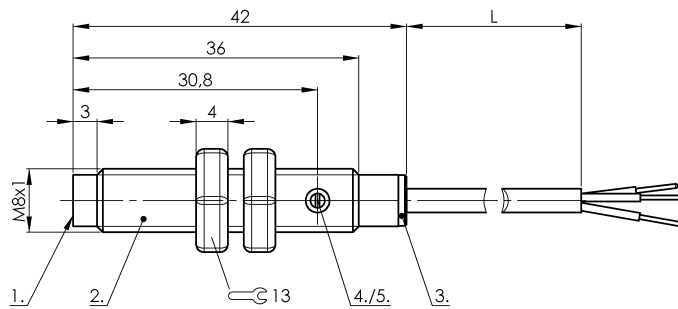
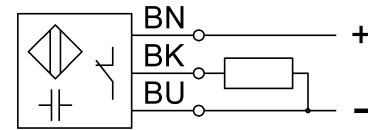


# SK1-3-M8-PNBO-VA/PTFE CS002J



## Wiring Diagram



1) Sensing surface 2) Housing 3) Cover 4) Potentiometer 5) LED function indicator



## Electrical connection

Cable length	2 m
Conductor cross-section	0.14 mm <sup>2</sup>
Connection type	Cable, 2.00 m, PUR
Number of conductors	3
Polarity reversal protected	yes
Short-circuit protection	yes

## Electrical data

Hysteresis H max. (% of Sr)	15.0 %
MTTF (40 °C)	444 a
Operating voltage U <sub>b</sub>	11...30 VDC
Protected against miswiring	yes
Rated insulation voltage U <sub>i</sub>	75 V DC
Rated operating current I <sub>e</sub> DC	50 mA
Repeat accuracy max. (% of Sr)	2.0 %
Switching frequency	100 Hz
Utilization category	DC -13
Voltage drop static max.	2 V

## Environmental conditions

Ambient temperature	-10...70 °C
Protection type IEC 60529	IP65

## Functional safety

Diagnostic coverage	0 %
Functional safety	no

## General data

Approval/Conformity	CE cULus
Basic standard	IEC 60947-5-2
Scope of delivery	Nut (2x)
Sensitivity	Switching distance adjustable

## Material

Cover material	POM
Housing material	Stainless steel (1.4301)
Material cover	POM
Material jacket	PUR
Material sensing surface	PTFE

## Mechanical data

Dimension	undefined
Installation	non-flush
Size	M8x1
Tightening torque	6 Nm

## Output/Interface

Switching output	PNP Normally closed (NC)
------------------	--------------------------

## Range/Distance

Measuring range	0.1...3 mm
Range	0.1...3 mm
Rated operating distance S <sub>n</sub>	3 mm
Ripple max. (% of U <sub>e</sub> )	10 %
Temperature drift max. (% of Sr)	15 %